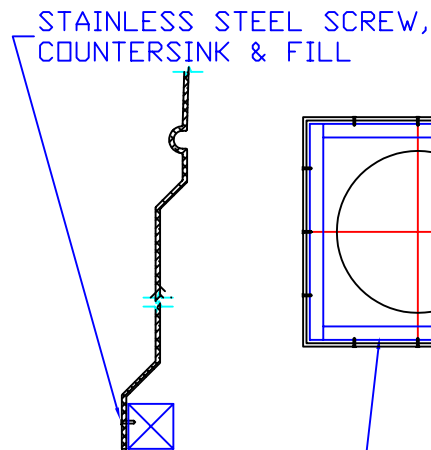


BLOCKING AS REQUIRED

BLOCKING DETAIL, CAPITAL



BLOCKING AS REQUIRED

BLOCKING DETAIL, BASE

CAPITAL SEPARATE  
 BASE & PEDESTAL  
 ATTACHED  
 ALL COLUMNS SHIPPED  
 IN HALF-UNITS  
 COLUMN WILL FIT UP TO:  
 14" SQ. BEAM  
 Ø20" COLUMN

CLT18

FIBERGLASS  
 TECHNOLOGIES, INC.

1610 Hanford St., Levittown, PA \* (215) 943-4567 \* FAX (215) 943-4540