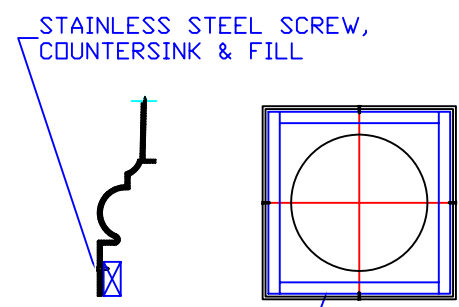


BLOCKING AS REQUIRED

BLOCKING DETAIL, CAPITAL



BLOCKING AS REQUIRED

BLOCKING DETAIL, BASE

CAPITAL & BASE  
SEPARATE  
ALL COLUMNS SHIPPED  
IN HALF-UNITS  
COLUMN WILL FIT UP TO:  
9" SQ. BEAM  
Ø11" COLUMN

CLT14

FIBERGLASS  
TECHNOLOGIES, INC.

1610 Hanford St., Levittown, PA \* (215) 943-4567 \* FAX (215) 943-4540