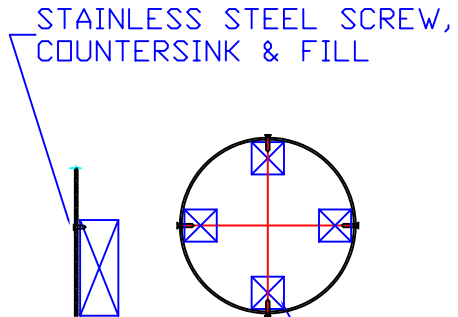


BLOCKING DETAIL, CAPITAL



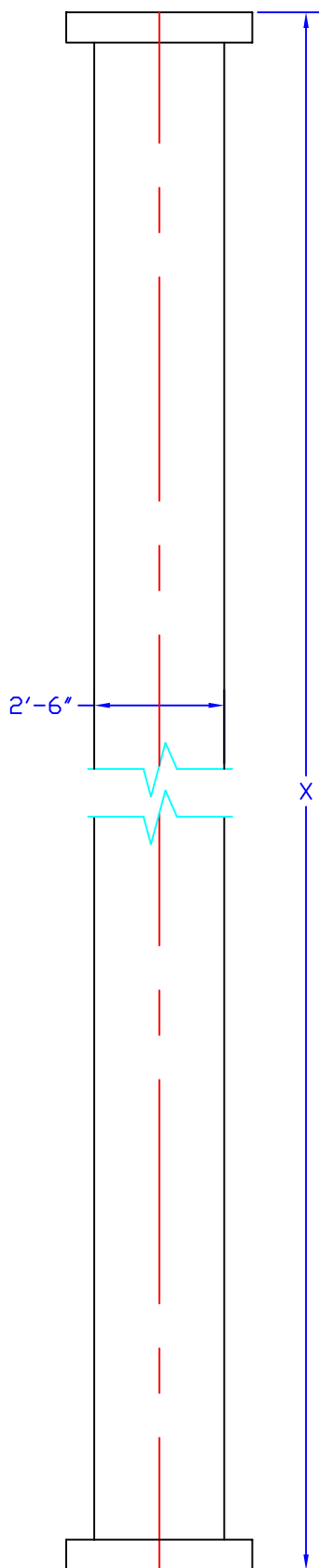
BLOCKING AS REQUIRED
BLOCKING DETAIL, BASE

CAPITAL & BASE
OPTIONAL
ALL COLUMNS SHIPPED
IN HALF-UNITS
COLUMN WILL FIT UP TO:
20" SQ. BEAM
Ø29" COLUMN

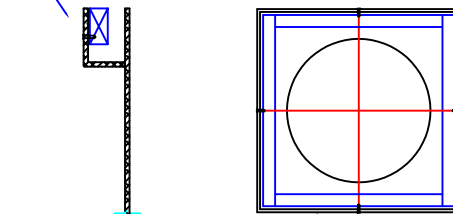
CLS30

**FIBERGLASS
TECHNOLOGIES, INC.**

1610 Hanford St., Levittown, PA * (215) 943-4567 * FAX (215) 943-4540



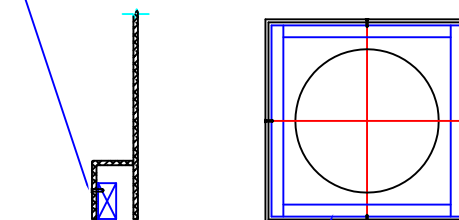
STAINLESS STEEL SCREW,
COUNTERSINK & FILL



BLOCKING AS REQUIRED

BLOCKING DETAIL, CAPITAL

STAINLESS STEEL SCREW,
COUNTERSINK & FILL



BLOCKING AS REQUIRED

BLOCKING DETAIL, BASE

CAPITAL & BASE
OPTIONAL

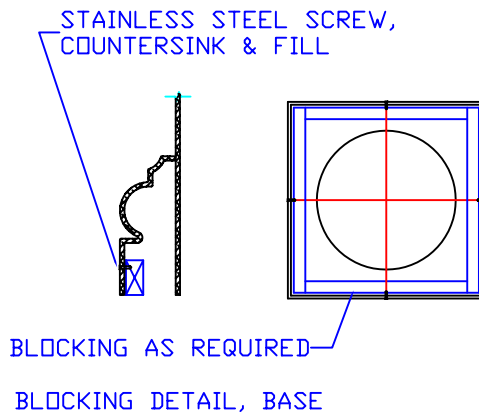
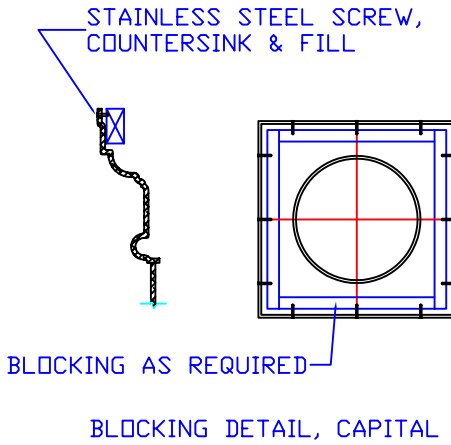
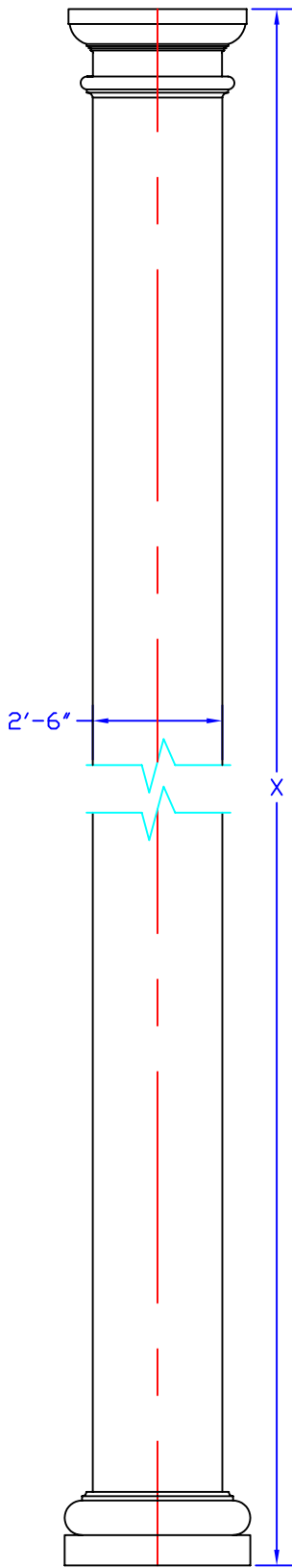
ALL COLUMNS SHIPPED
IN HALF-UNITS

COLUMN WILL FIT UP TO:
20" SQ. BEAM
Ø29" COLUMN

CLS30A

*FIBERGLASS
TECHNOLOGIES, INC.*

1610 Hanford St., Levittown, PA * (215) 943-4567 * FAX (215) 943-4540

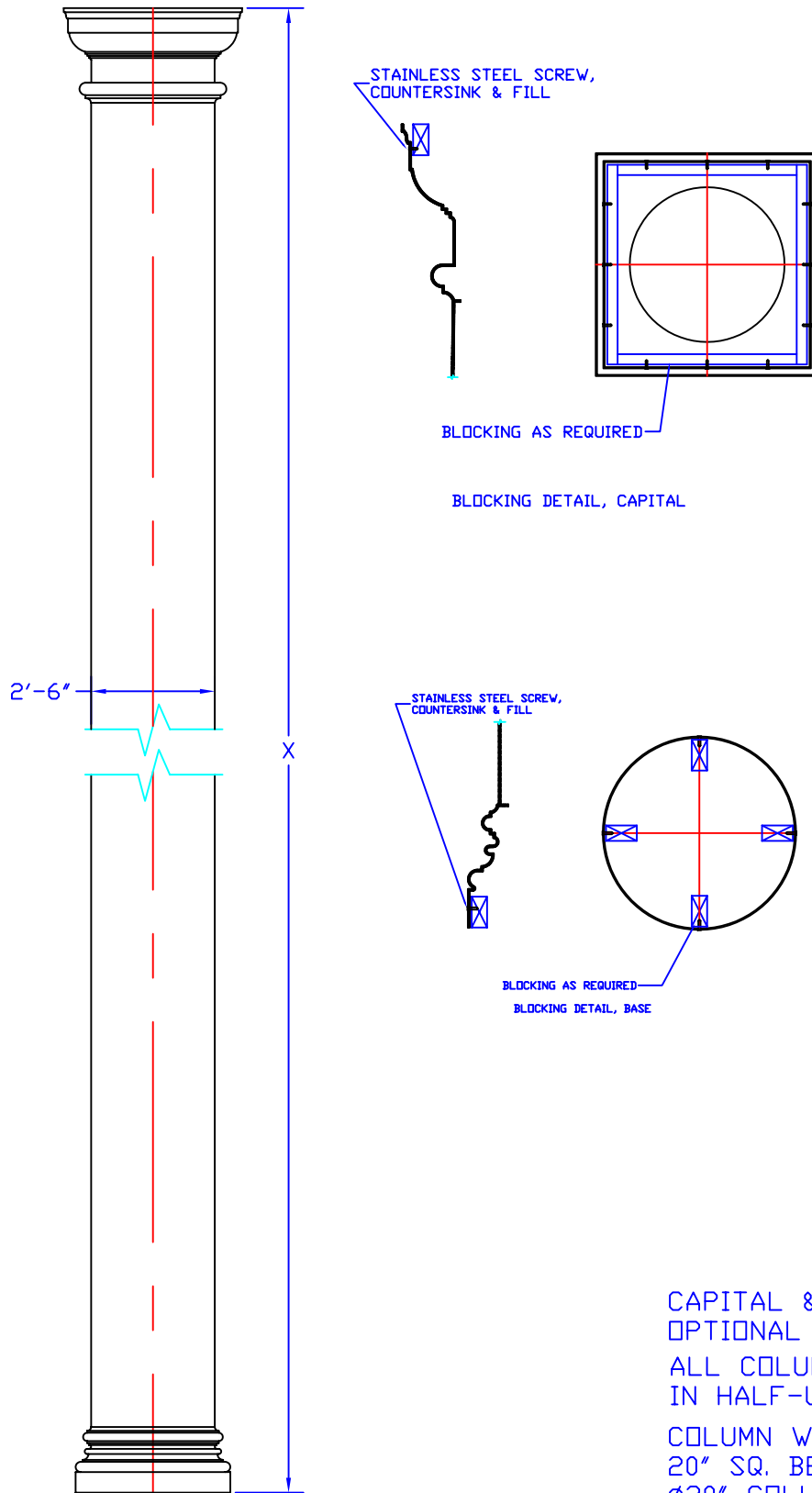


CAPITAL & BASE
OPTIONAL
ALL COLUMNS SHIPPED
IN HALF-UNITS
COLUMN WILL FIT UP TO:
20" SQ. BEAM
Ø30" COLUMN

CLS30B

FIBERGLASS
TECHNOLOGIES, INC.

1610 Hanford St., Levittown, PA * (215) 943-4567 * FAX (215) 943-4540



CAPITAL & BASE
 OPTIONAL
 ALL COLUMNS SHIPPED
 IN HALF-UNITS
 COLUMN WILL FIT UP TO:
 20" SQ. BEAM
 Ø30" COLUMN

CLS30C

*FIBERGLASS
 TECHNOLOGIES, INC.*

1610 Hanford St., Levittown, PA * (215) 943-4567 * FAX (215) 943-4540