

STAINLESS STEEL SCREW,
COUNTERSINK & FILL
BLOCKING AS REQUIRED

BLOCKING DETAIL, CAPITAL

STAINLESS STEEL SCREW,
COUNTERSINK & FILL

BLOCKING AS REQUIRED

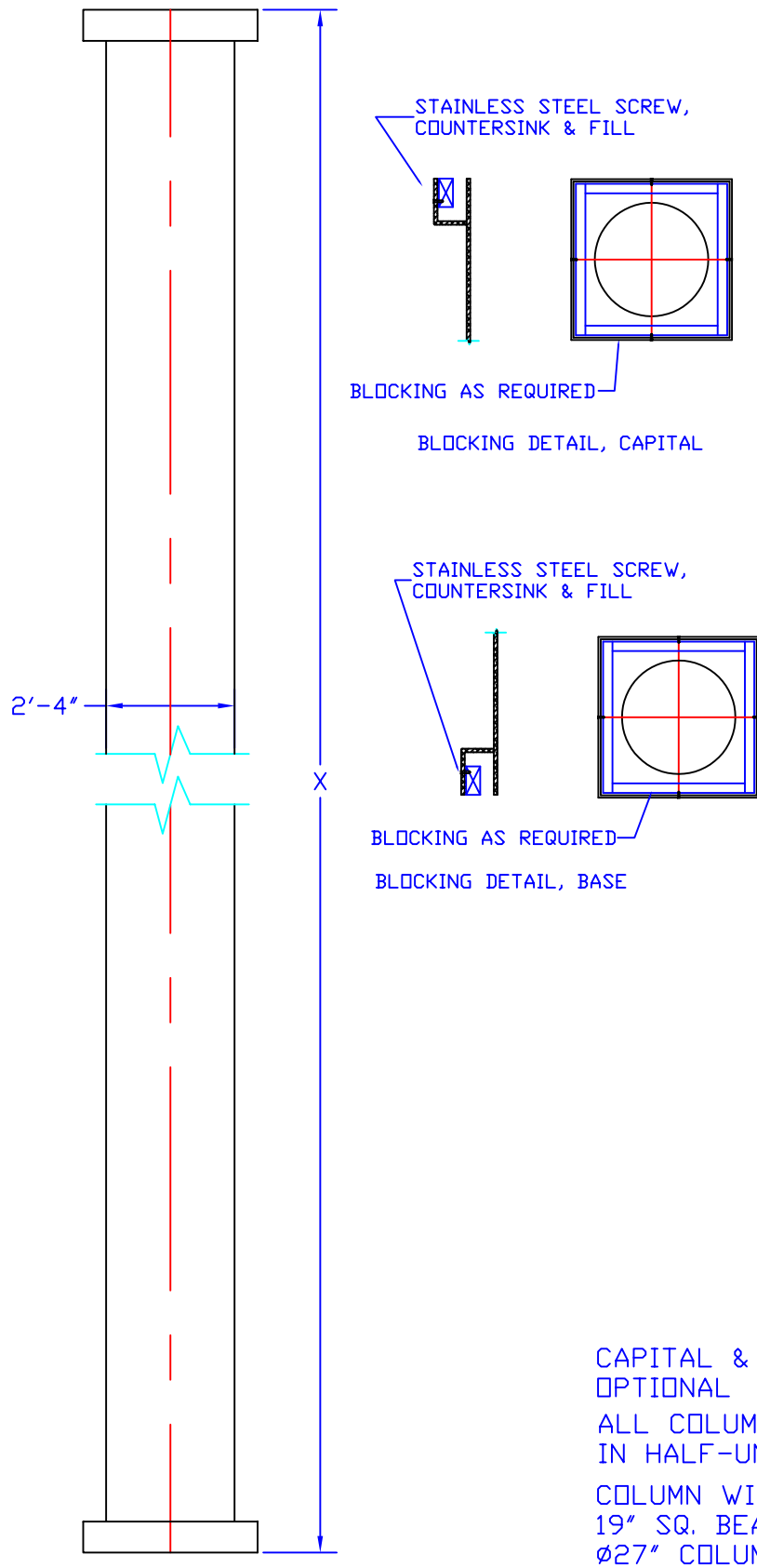
BLOCKING DETAIL, BASE

CAPITAL & BASE
OPTIONAL
ALL COLUMNS SHIPPED
IN HALF-UNITS
COLUMN WILL FIT UP TO:
19" SQ. BEAM
Ø27" COLUMN

CLS28

*FIBERGLASS
TECHNOLOGIES, INC.*

1610 Hanford St., Levittown, PA * (215) 943-4567 * FAX (215) 943-4540

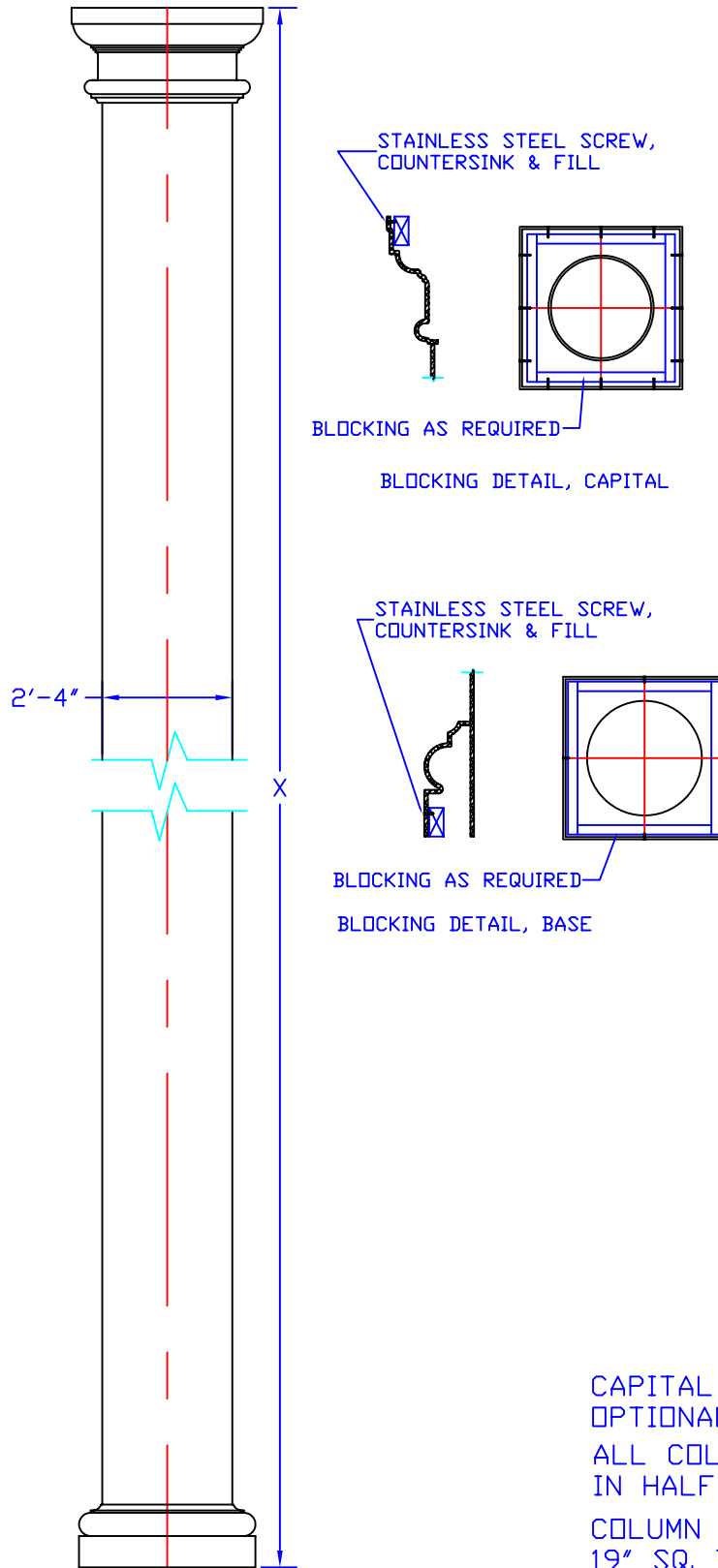


CAPITAL & BASE
 OPTIONAL
 ALL COLUMNS SHIPPED
 IN HALF-UNITS
 COLUMN WILL FIT UP TO:
 19" SQ. BEAM
 Ø27" COLUMN

CLS28A

*FIBERGLASS
 TECHNOLOGIES, INC.*

1610 Hanford St., Levittown, PA * (215) 943-4567 * FAX (215) 943-4540



CAPITAL & BASE
OPTIONAL
ALL COLUMNS SHIPPED
IN HALF-UNITS
COLUMN WILL FIT UP TO:
19" SQ. BEAM
Ø27" COLUMN

CLS28B

*FIBERGLASS
TECHNOLOGIES, INC.*

1610 Hanford St., Levittown, PA * (215) 943-4567 * FAX (215) 943-4540