

STAINLESS STEEL SCREW,
COUNTERSINK & FILL
BLOCKING AS REQUIRED

BLOCKING DETAIL, CAPITAL

STAINLESS STEEL SCREW,
COUNTERSINK & FILL

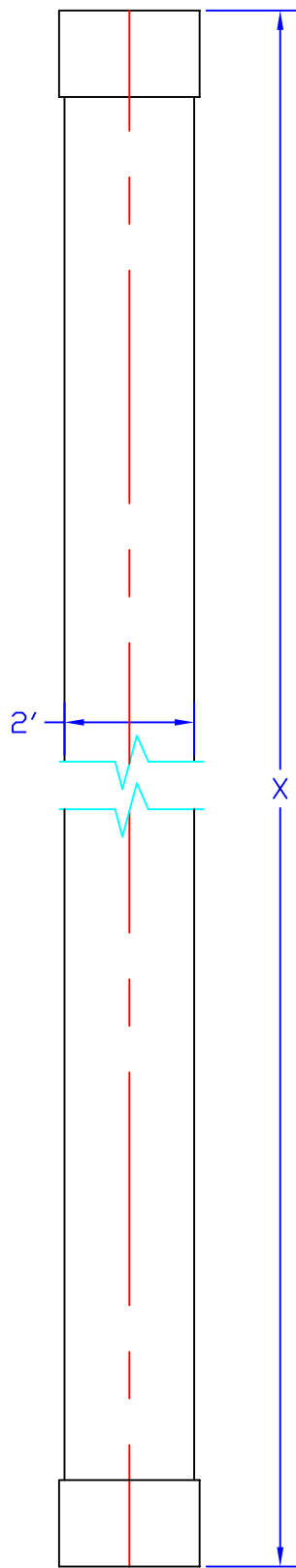
BLOCKING AS REQUIRED
BLOCKING DETAIL, BASE

CAPITAL & BASE
OPTIONAL
ALL COLUMNS SHIPPED
IN HALF-UNITS
COLUMN WILL FIT UP TO:
16" SQ. BEAM
Ø23" COLUMN

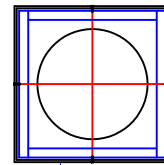
CLS24

*FIBERGLASS
TECHNOLOGIES, INC.*

1610 Hanford St., Levittown, PA * (215) 943-4567 * FAX (215) 943-4540



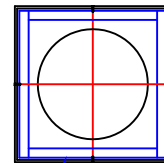
STAINLESS STEEL SCREW,
COUNTERSINK & FILL



BLOCKING AS REQUIRED

BLOCKING DETAIL, CAPITAL

STAINLESS STEEL SCREW,
COUNTERSINK & FILL



BLOCKING AS REQUIRED

BLOCKING DETAIL, BASE

CAPITAL & BASE
OPTIONAL

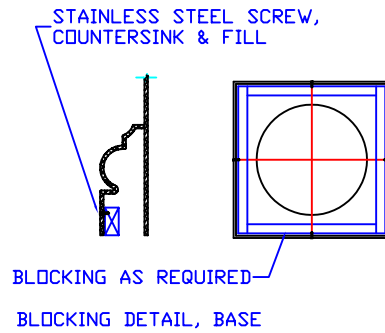
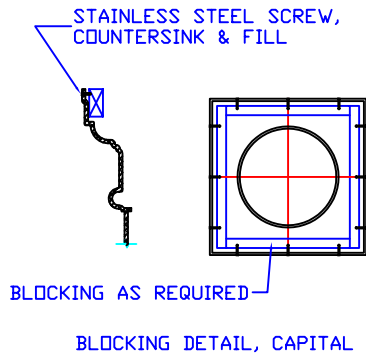
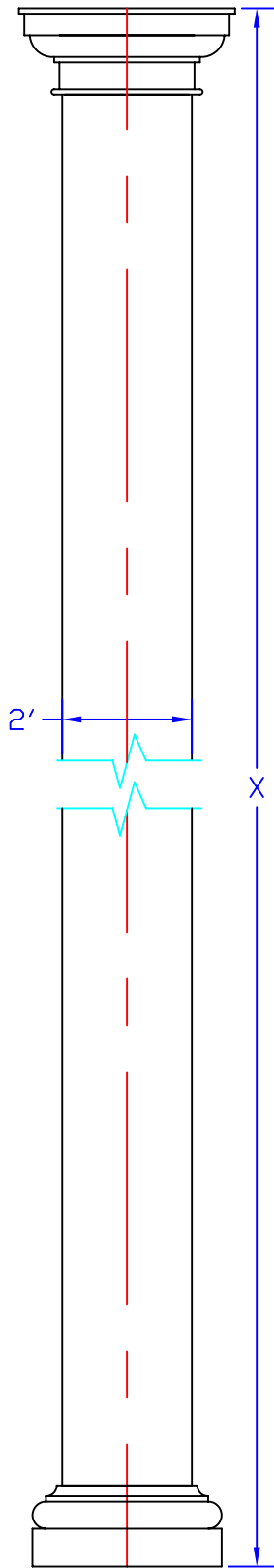
ALL COLUMNS SHIPPED
IN HALF-UNITS

COLUMN WILL FIT UP TO:
16" SQ. BEAM
Ø23" COLUMN

CLS24A

*FIBERGLASS
TECHNOLOGIES, INC.*

1610 Hanford St., Levittown, PA * (215) 943-4567 * FAX (215) 943-4540

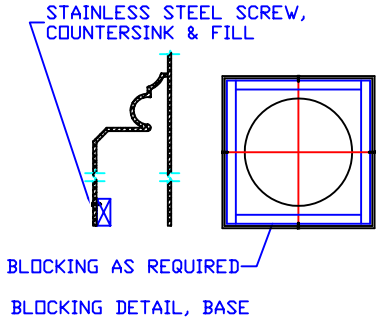
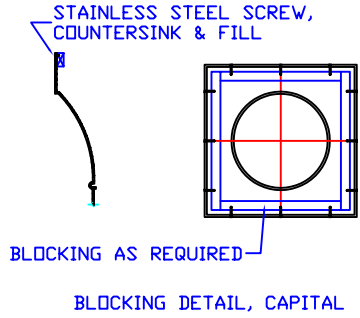
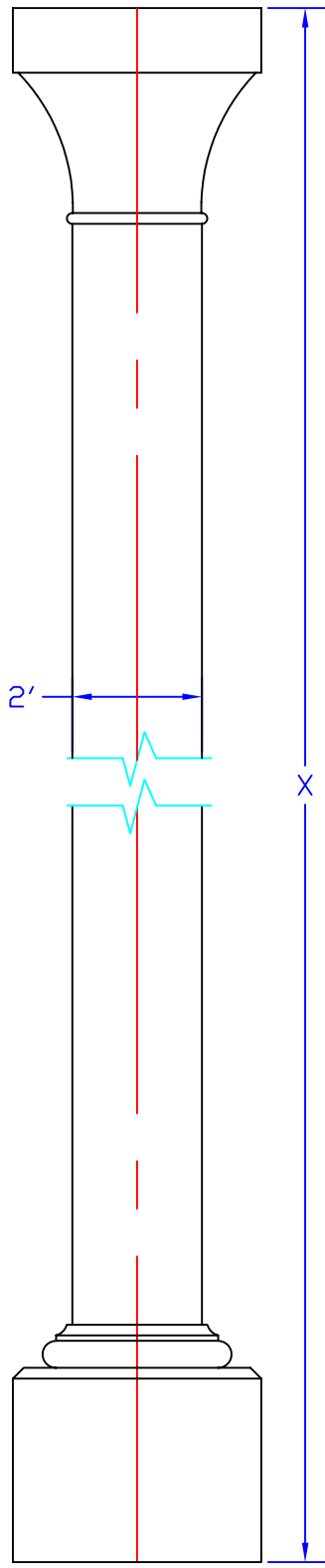


CAPITAL & BASE
OPTIONAL
ALL COLUMNS SHIPPED
IN HALF-UNITS
COLUMN WILL FIT UP TO:
16" SQ. BEAM
Ø23" COLUMN

CLS24B

FIBERGLASS
TECHNOLOGIES, INC.

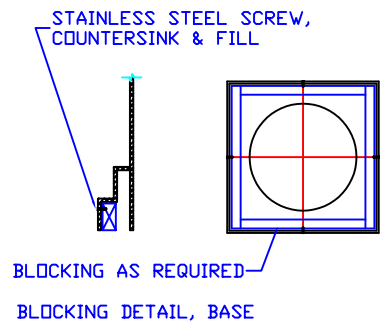
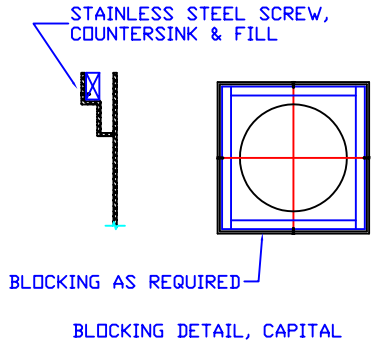
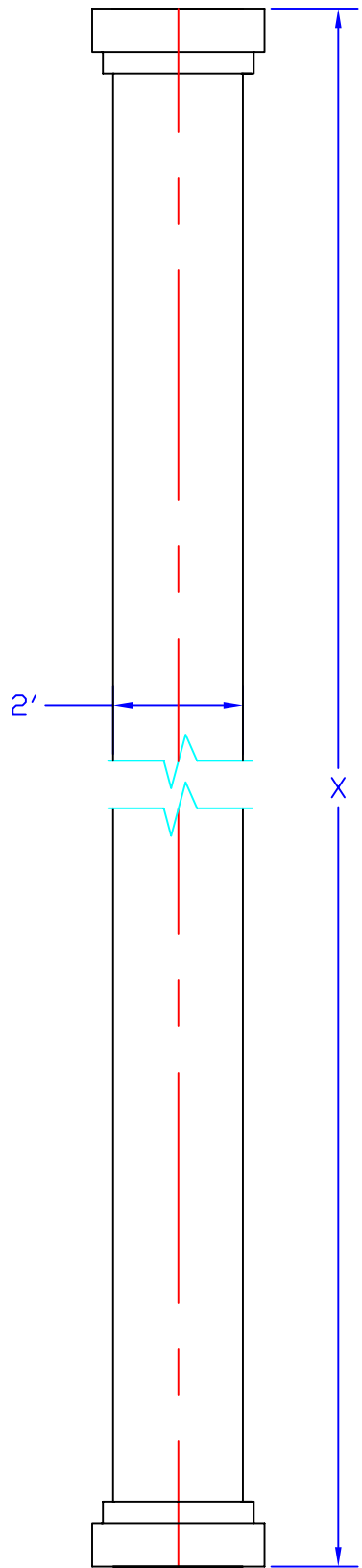
1610 Hanford St., Levittown, PA * (215) 943-4567 * FAX (215) 943-4540



CAPITAL & BASE
 OPTIONAL
 ALL COLUMNS SHIPPED
 IN HALF-UNITS
 COLUMN WILL FIT UP TO:
 16" SQ. BEAM
 Ø23" COLUMN

CLS24C

**FIBERGLASS
 TECHNOLOGIES, INC.**
 1610 Hanford St., Levittown, PA * (215) 943-4567 * FAX (215) 943-4540

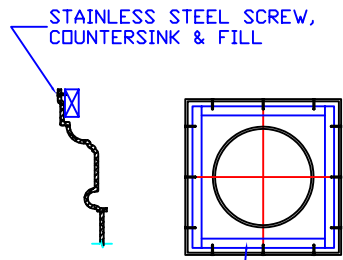
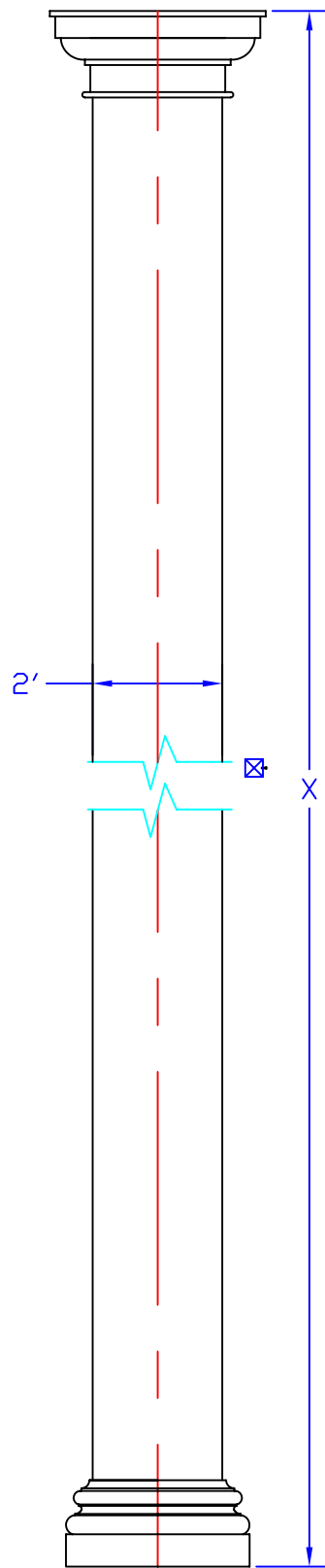


CAPITAL & BASE
OPTIONAL
ALL COLUMNS SHIPPED
IN HALF-UNITS
COLUMN WILL FIT UP TO:
16" SQ. BEAM
Ø23" COLUMN

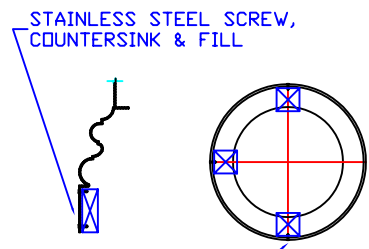
CLS24D

**FIBERGLASS
TECHNOLOGIES, INC.**

1610 Hanford St., Levittown, PA * (215) 943-4567 * FAX (215) 943-4540



BLOCKING AS REQUIRED
BLOCKING DETAIL, CAPITAL



BLOCKING AS REQUIRED
BLOCKING DETAIL, BASE

CAPITAL & BASE
OPTIONAL
ALL COLUMNS SHIPPED
IN HALF-UNITS
COLUMN WILL FIT UP TO:
16" SQ. BEAM
Ø23" COLUMN

CLS24E

FIBERGLASS
TECHNOLOGIES, INC.

1610 Hanford St., Levittown, PA * (215) 943-4567 * FAX (215) 943-4540