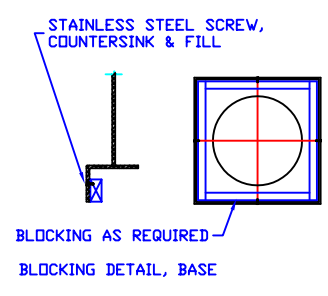
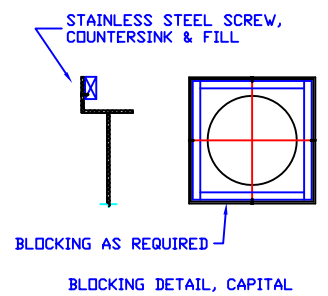
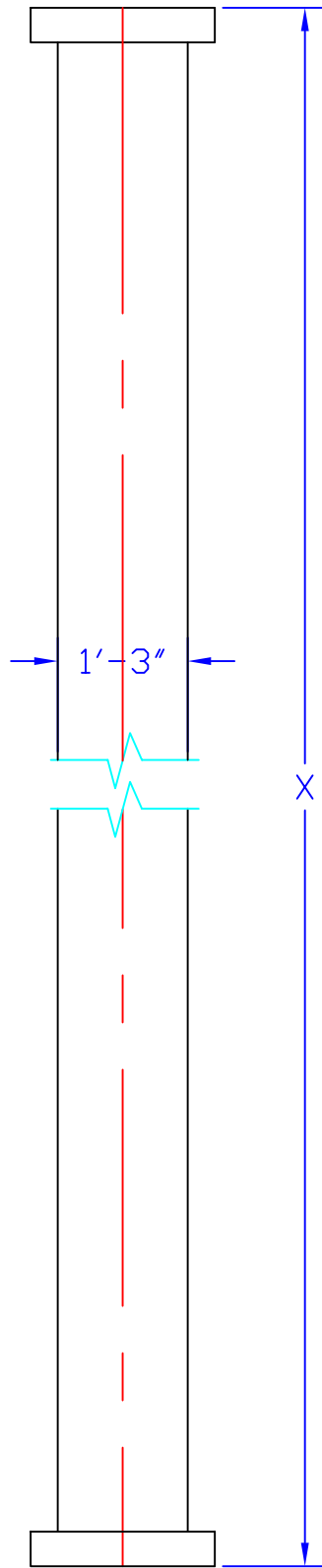


CAPITAL & BASE  
 OPTIONAL  
 ALL COLUMNS SHIPPED  
 IN HALF-UNITS  
 COLUMN WILL FIT UP TO:  
 10" SQ. BEAM  
 Ø14" COLUMN

CLS15

**FIBERGLASS**  
**TECHNOLOGIES, INC.**

1610 Hanford St., Levittown, PA \* (215) 943-4567 \* FAX (215) 943-4540

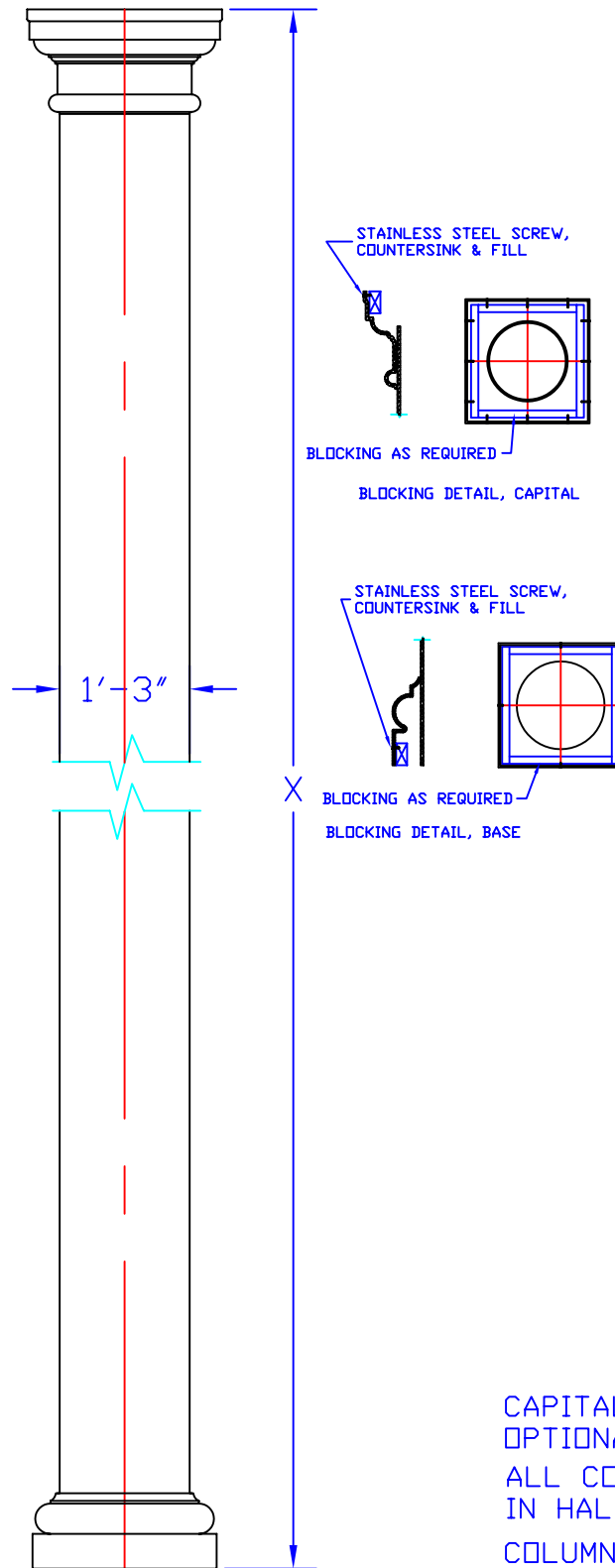


CAPITAL & BASE  
OPTIONAL  
ALL COLUMNS SHIPPED  
IN HALF-UNITS  
COLUMN WILL FIT UP TO:  
10" SQ. BEAM  
Ø14" COLUMN

CLS15A

**FIBERGLASS  
TECHNOLOGIES, INC.**

1610 Hanford St., Levittown, PA \* (215) 943-4567 \* FAX (215) 943-4540



STAINLESS STEEL SCREW,  
COUNTERSINK & FILL

BLOCKING AS REQUIRED

BLOCKING DETAIL, CAPITAL

STAINLESS STEEL SCREW,  
COUNTERSINK & FILL

BLOCKING AS REQUIRED

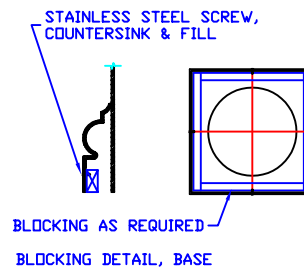
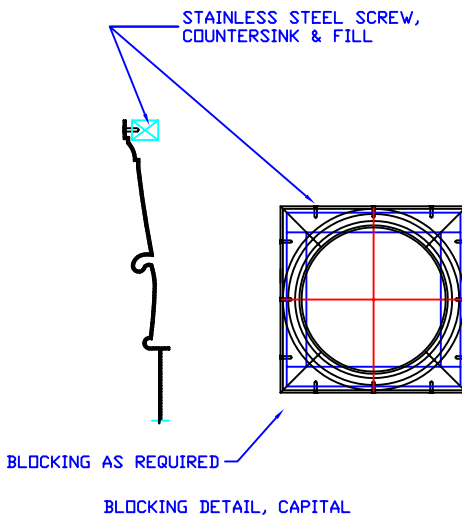
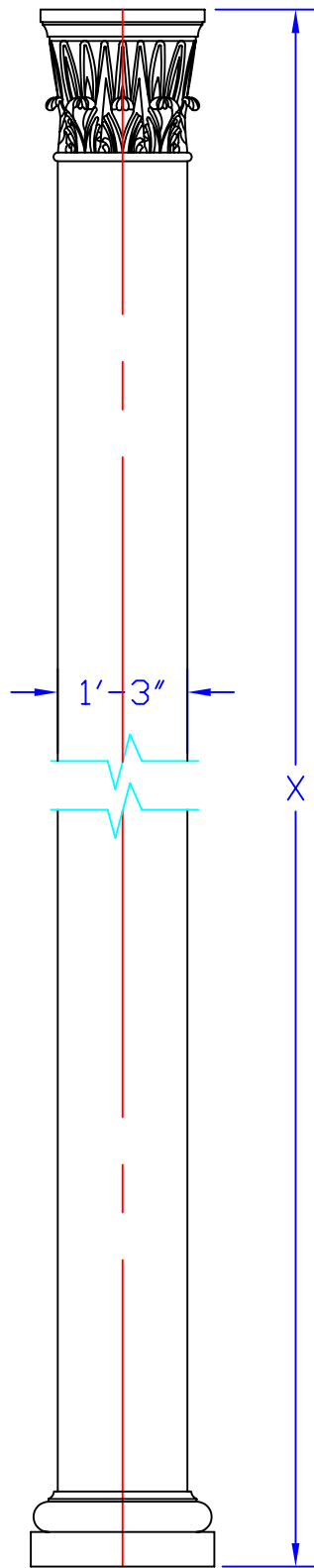
BLOCKING DETAIL, BASE

CAPITAL & BASE  
OPTIONAL  
ALL COLUMNS SHIPPED  
IN HALF-UNITS  
COLUMN WILL FIT UP TO:  
10" SQ. BEAM  
Ø14" COLUMN

CLS15B

FIBERGLASS  
TECHNOLOGIES, INC.

1610 Hanford St., Levittown, PA \* (215) 943-4567 \* FAX (215) 943-4540



CAPITAL & BASE  
OPTIONAL  
ALL COLUMNS SHIPPED  
IN HALF-UNITS  
COLUMN WILL FIT UP TO:  
10" SQ. BEAM  
Ø14" COLUMN

CLS15C

FIBERGLASS  
TECHNOLOGIES, INC.

1610 Hanford St., Levittown, PA \* (215) 943-4567 \* FAX (215) 943-4540