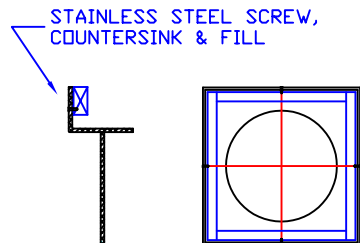
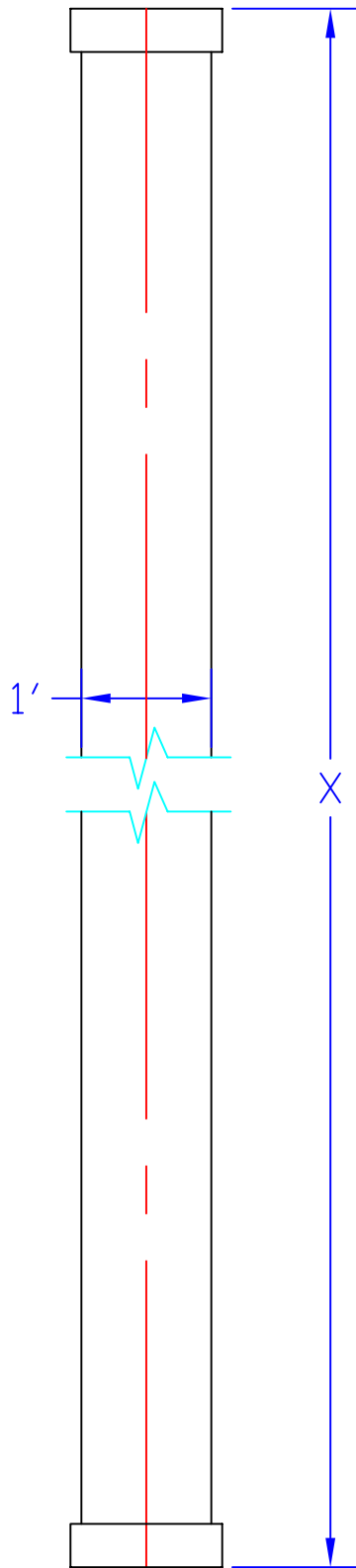


CAPITAL & BASE  
OPTIONAL  
ALL COLUMNS SHIPPED  
IN HALF-UNITS  
COLUMN WILL FIT UP TO:  
8" SQ. BEAM  
Ø11" COLUMN

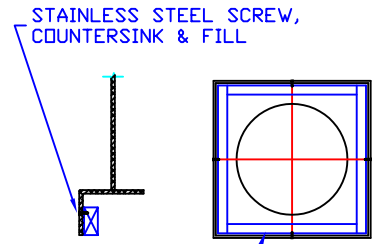
CLS12

**FIBERGLASS  
TECHNOLOGIES, INC.**

1610 Hanford St., Levittown, PA \* (215) 943-4567 \* FAX (215) 943-4540



STAINLESS STEEL SCREW,  
COUNTERSINK & FILL  
BLOCKING AS REQUIRED  
BLOCKING DETAIL, CAPITAL



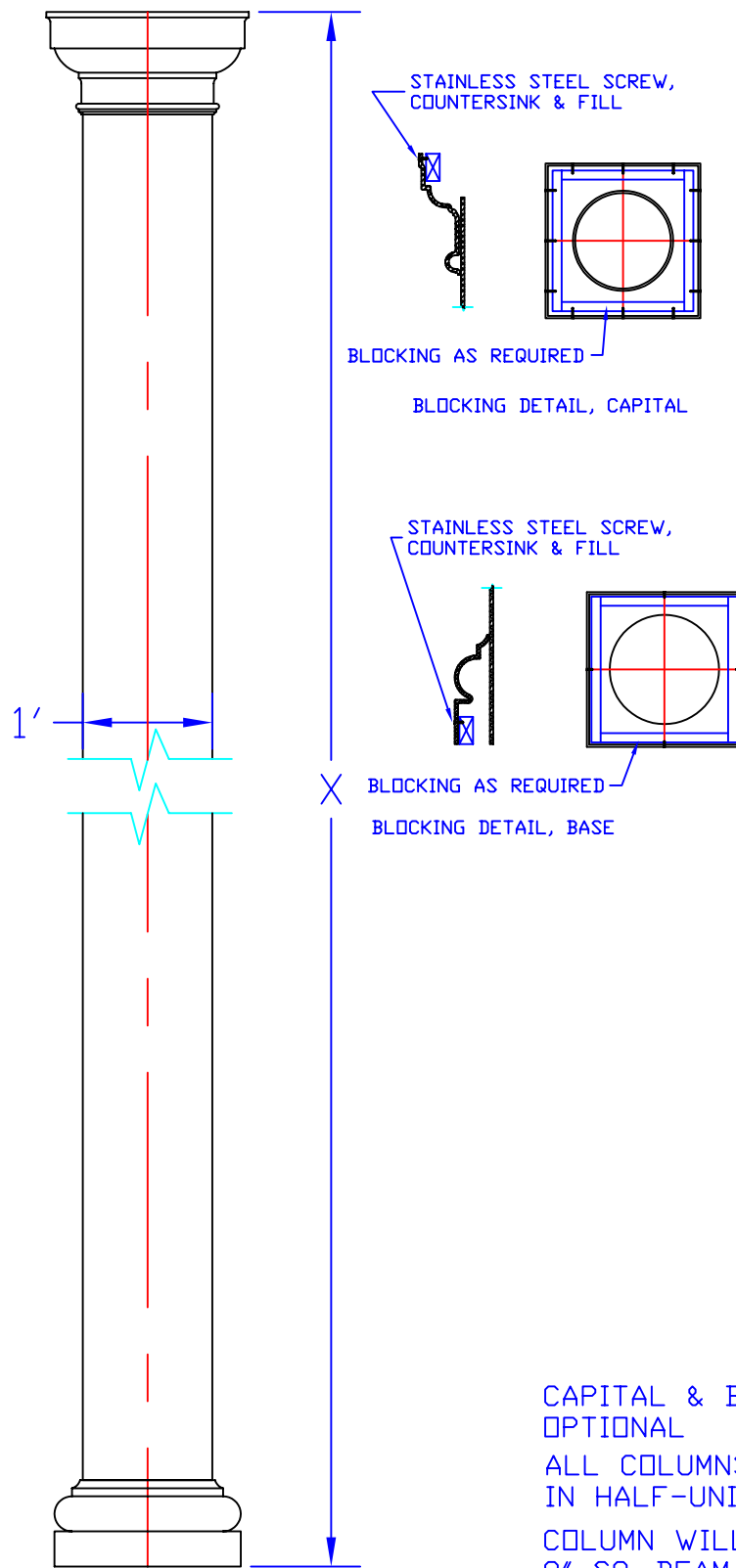
STAINLESS STEEL SCREW,  
COUNTERSINK & FILL  
BLOCKING AS REQUIRED  
BLOCKING DETAIL, BASE

CAPITAL & BASE  
OPTIONAL  
ALL COLUMNS SHIPPED  
IN HALF-UNITS  
COLUMN WILL FIT UP TO:  
8" SQ. BEAM  
Ø11" COLUMN

CLS12A

FIBERGLASS  
TECHNOLOGIES, INC.

1610 Hanford St., Levittown, PA \* (215) 943-4567 \* FAX (215) 943-4540



STAINLESS STEEL SCREW,  
COUNTERSINK & FILL

BLOCKING AS REQUIRED  
BLOCKING DETAIL, CAPITAL

STAINLESS STEEL SCREW,  
COUNTERSINK & FILL

BLOCKING AS REQUIRED  
BLOCKING DETAIL, BASE

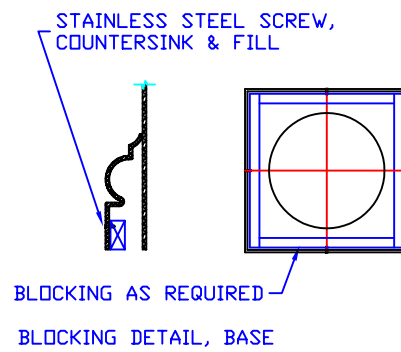
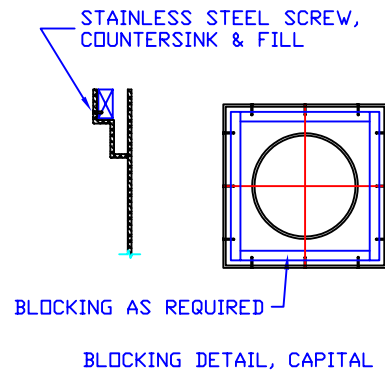
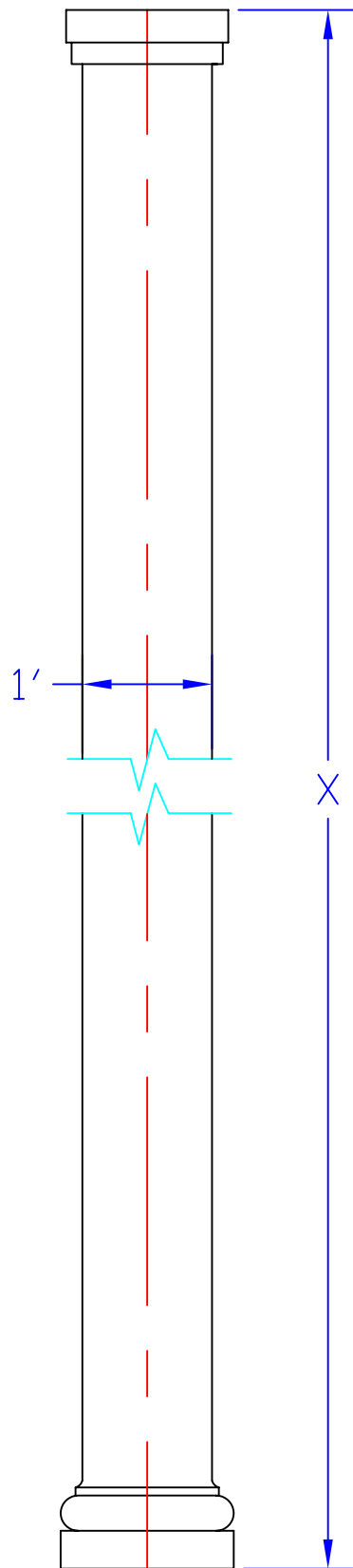
1'

CAPITAL & BASE  
OPTIONAL  
ALL COLUMNS SHIPPED  
IN HALF-UNITS  
COLUMN WILL FIT UP TO:  
8" SQ. BEAM  
Ø11" COLUMN

CLS12B

FIBERGLASS  
TECHNOLOGIES, INC.

1610 Hanford St., Levittown, PA \* (215) 943-4567 \* FAX (215) 943-4540

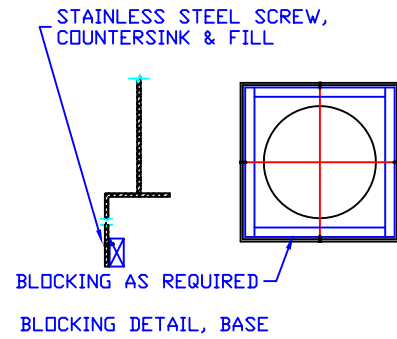
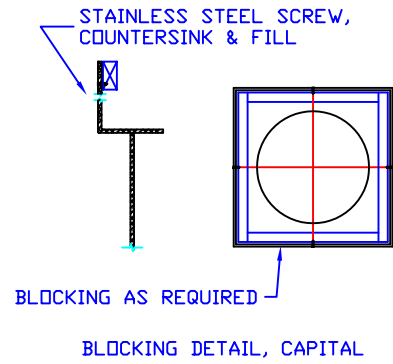
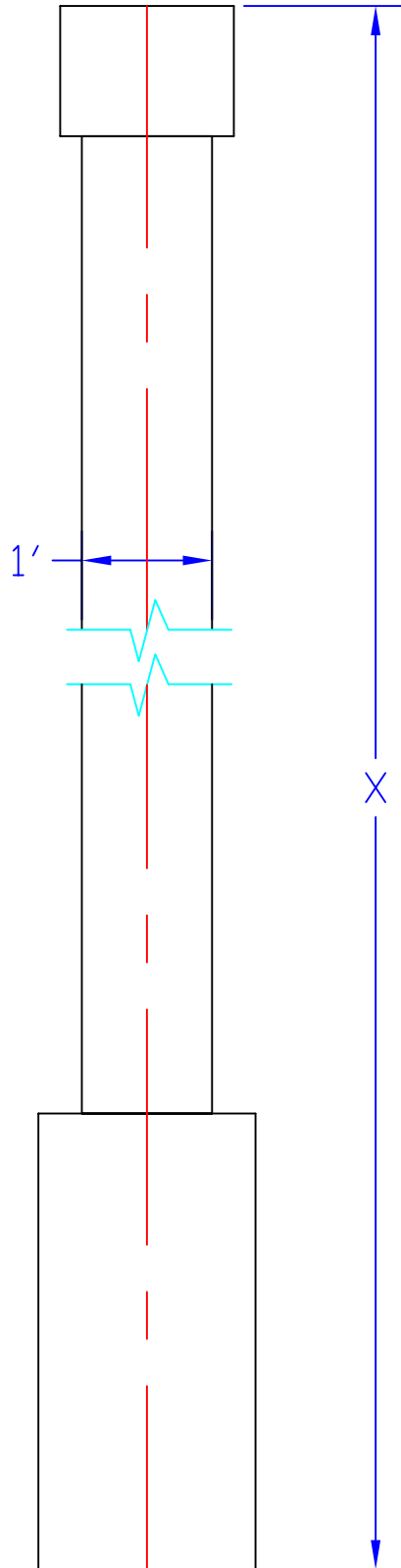


CAPITAL & BASE  
OPTIONAL  
ALL COLUMNS SHIPPED  
IN HALF-UNITS  
COLUMN WILL FIT UP TO:  
8" SQ. BEAM  
Ø11" COLUMN

CLS12C

*FIBERGLASS  
TECHNOLOGIES, INC.*

1610 Hanford St., Levittown, PA \* (215) 943-4567 \* FAX (215) 943-4540

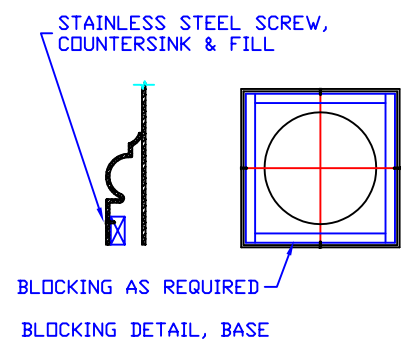
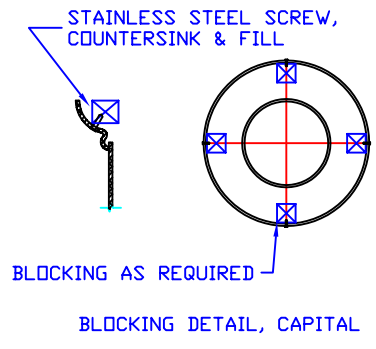
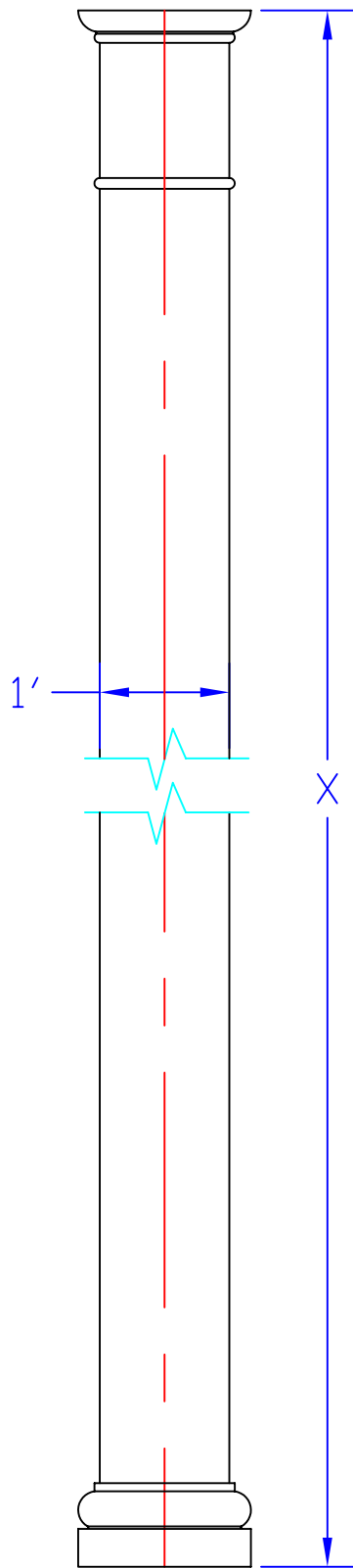


CAPITAL & BASE  
 OPTIONAL  
 ALL COLUMNS SHIPPED  
 IN HALF-UNITS  
 COLUMN WILL FIT UP TO:  
 8" SQ. BEAM  
 Ø11" COLUMN

CLS12D

**FIBERGLASS  
 TECHNOLOGIES, INC.**

1610 Hanford St., Levittown, PA \* (215) 943-4567 \* FAX (215) 943-4540



CAPITAL & BASE  
OPTIONAL  
ALL COLUMNS SHIPPED  
IN HALF-UNITS  
COLUMN WILL FIT UP TO:  
8" SQ. BEAM  
Ø11" COLUMN

CLS12E

*FIBERGLASS  
TECHNOLOGIES, INC.*

1610 Hanford St., Levittown, PA \* (215) 943-4567 \* FAX (215) 943-4540