

STAINLESS STEEL SCREW,  
COUNTERSINK & FILL  
BLOCKING AS REQUIRED

BLOCKING DETAIL, CAPITAL

STAINLESS STEEL SCREW,  
COUNTERSINK & FILL

BLOCKING AS REQUIRED

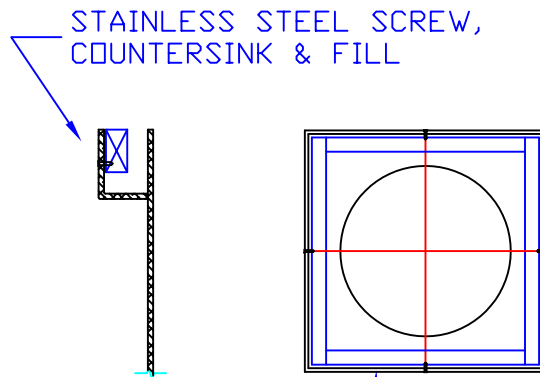
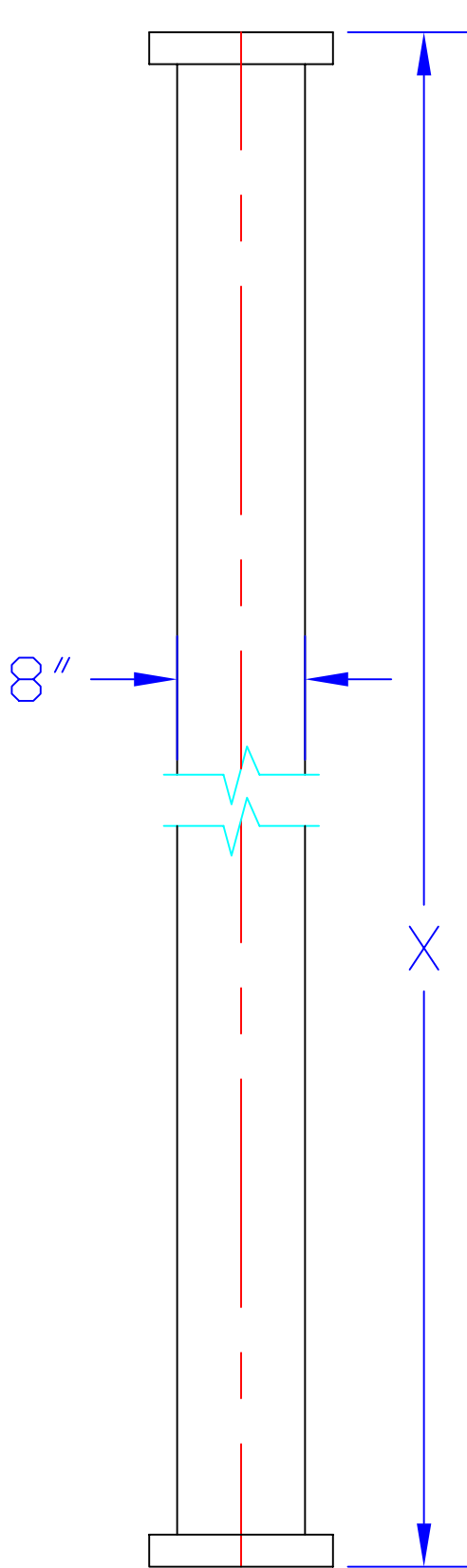
BLOCKING DETAIL, BASE

CAPITAL & BASE  
OPTIONAL  
ALL COLUMNS SHIPPED  
IN HALF-UNITS  
COLUMN WILL FIT UP TO:  
5" SQ. BEAM  
Ø7" COLUMN

CLS08

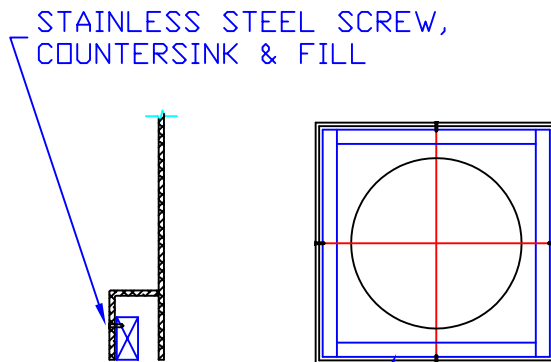
*FIBERGLASS  
TECHNOLOGIES, INC.*

1610 Hanford St., Levittown, PA \* (215) 943-4567 \* FAX (215) 943-4540



BLOCKING AS REQUIRED

BLOCKING DETAIL, CAPITAL



BLOCKING AS REQUIRED

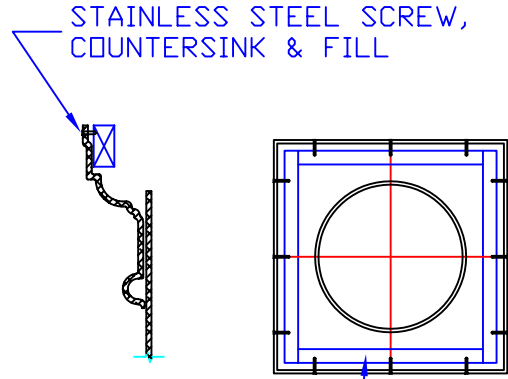
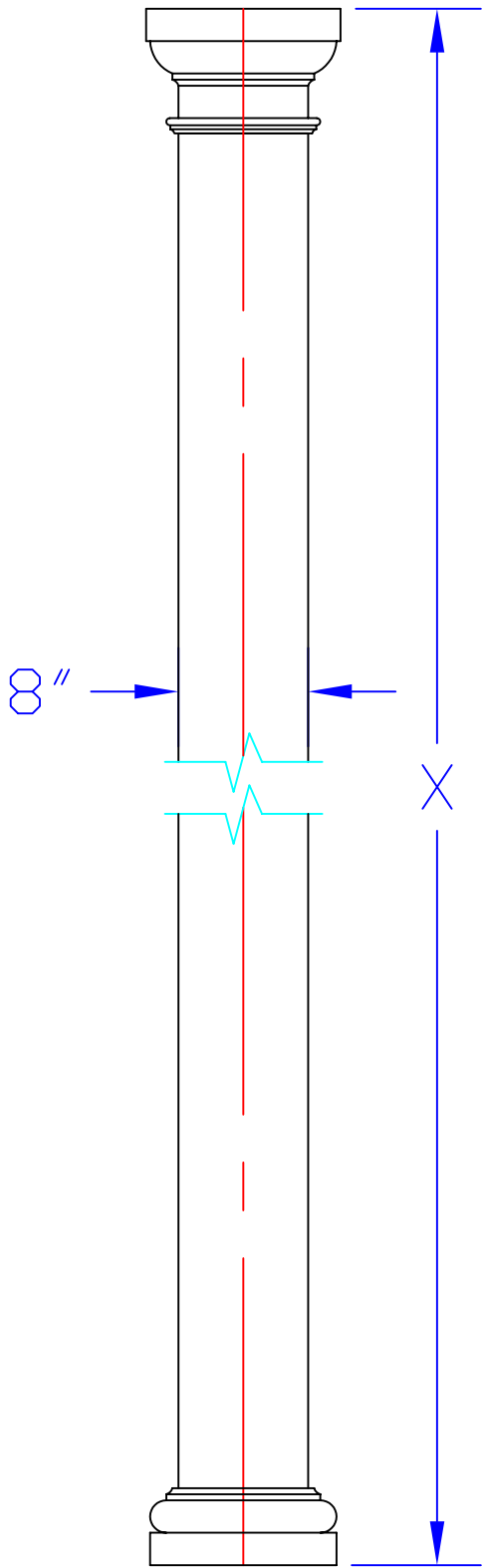
BLOCKING DETAIL, BASE

CAPITAL & BASE  
 OPTIONAL  
 ALL COLUMNS SHIPPED  
 IN HALF-UNITS  
 COLUMN WILL FIT UP TO:  
 5" SQ. BEAM  
 Ø7" COLUMN

CLS08A

FIBERGLASS  
 TECHNOLOGIES, INC.

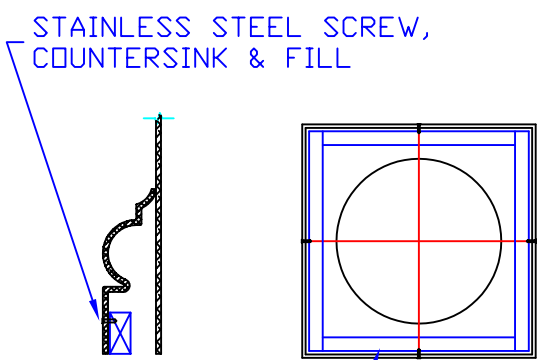
1610 Hanford St., Levittown, PA \* (215) 943-4567 \* FAX (215) 943-4540



STAINLESS STEEL SCREW,  
COUNTERSINK & FILL

BLOCKING AS REQUIRED

BLOCKING DETAIL, CAPITAL



STAINLESS STEEL SCREW,  
COUNTERSINK & FILL

BLOCKING AS REQUIRED

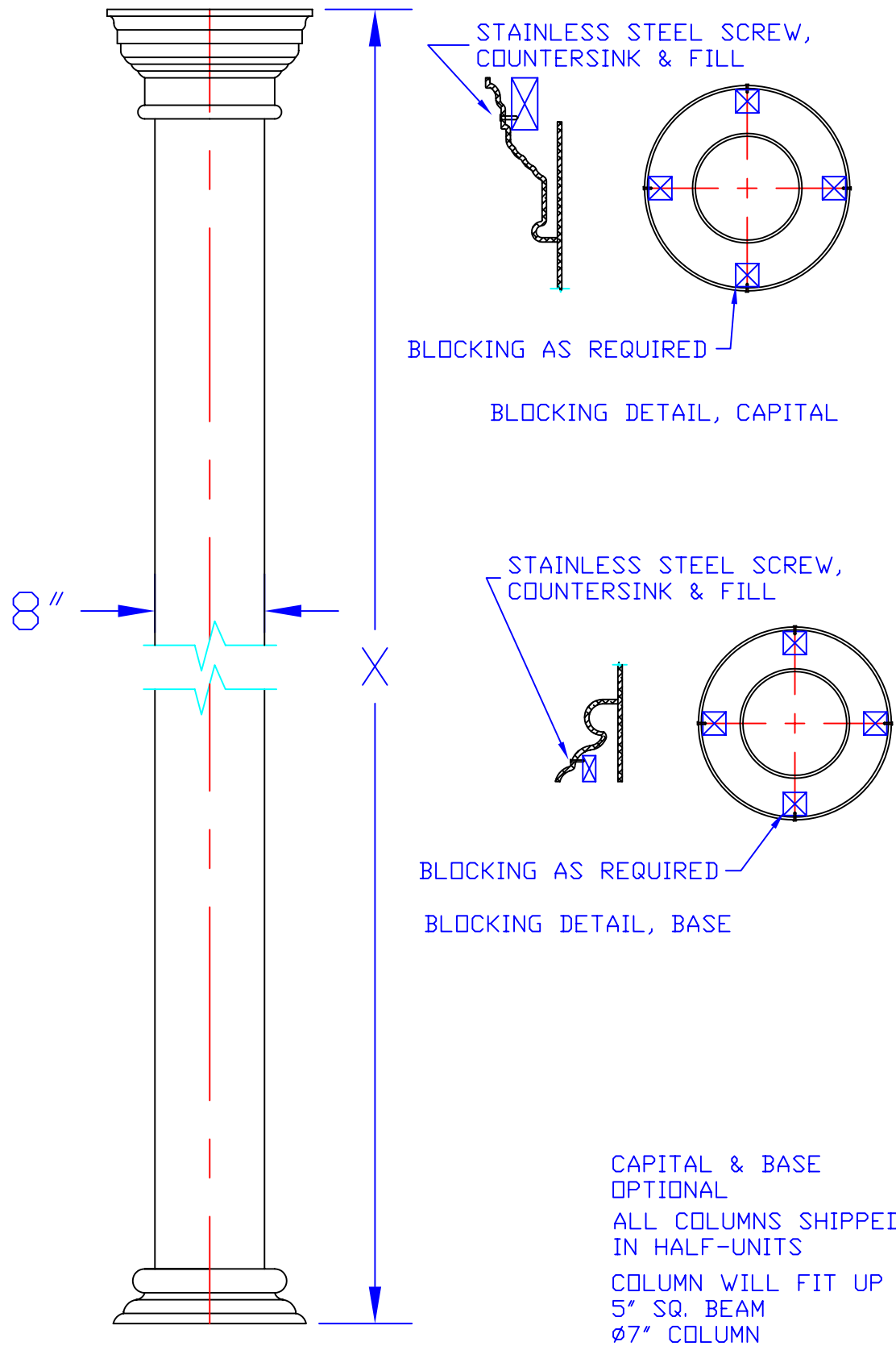
BLOCKING DETAIL, BASE

CAPITAL & BASE  
OPTIONAL  
ALL COLUMNS SHIPPED  
IN HALF-UNITS  
COLUMN WILL FIT UP TO:  
5" SQ. BEAM  
Ø7" COLUMN

CLS08B

FIBERGLASS  
TECHNOLOGIES, INC.

1610 Hanford St., Levittown, PA \* (215) 943-4567 \* FAX (215) 943-4540



CAPITAL & BASE  
 OPTIONAL  
 ALL COLUMNS SHIPPED  
 IN HALF-UNITS  
 COLUMN WILL FIT UP TO:  
 5" SQ. BEAM  
 Ø7" COLUMN

CLS08C

*FIBERGLASS  
 TECHNOLOGIES, INC.*

1610 Hanford St., Levittown, PA \* (215) 943-4567 \* FAX (215) 943-4540