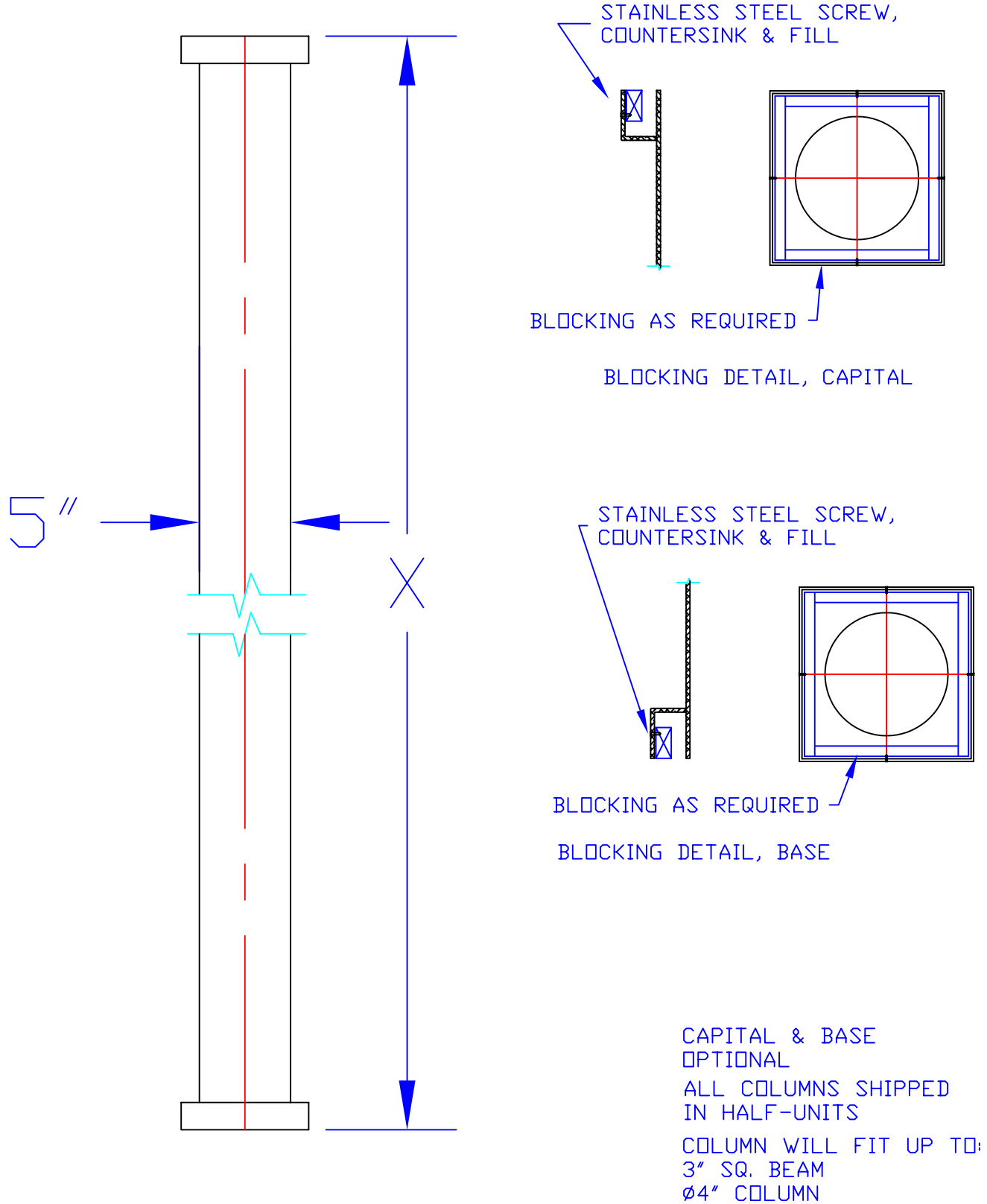


CAPITAL & BASE
OPTIONAL
ALL COLUMNS SHIPPED
IN HALF-UNITS
COLUMN WILL FIT UP TO:
3" SQ. BEAM
Ø4" COLUMN

CLS05

*FIBERGLASS
TECHNOLOGIES, INC.*

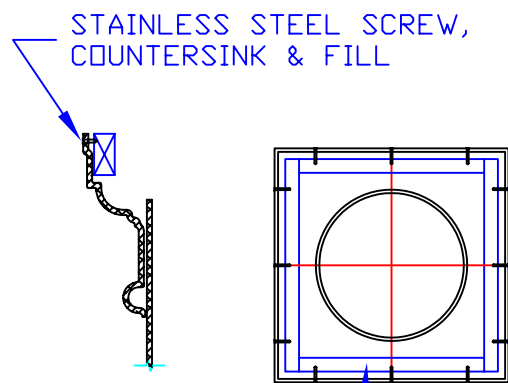
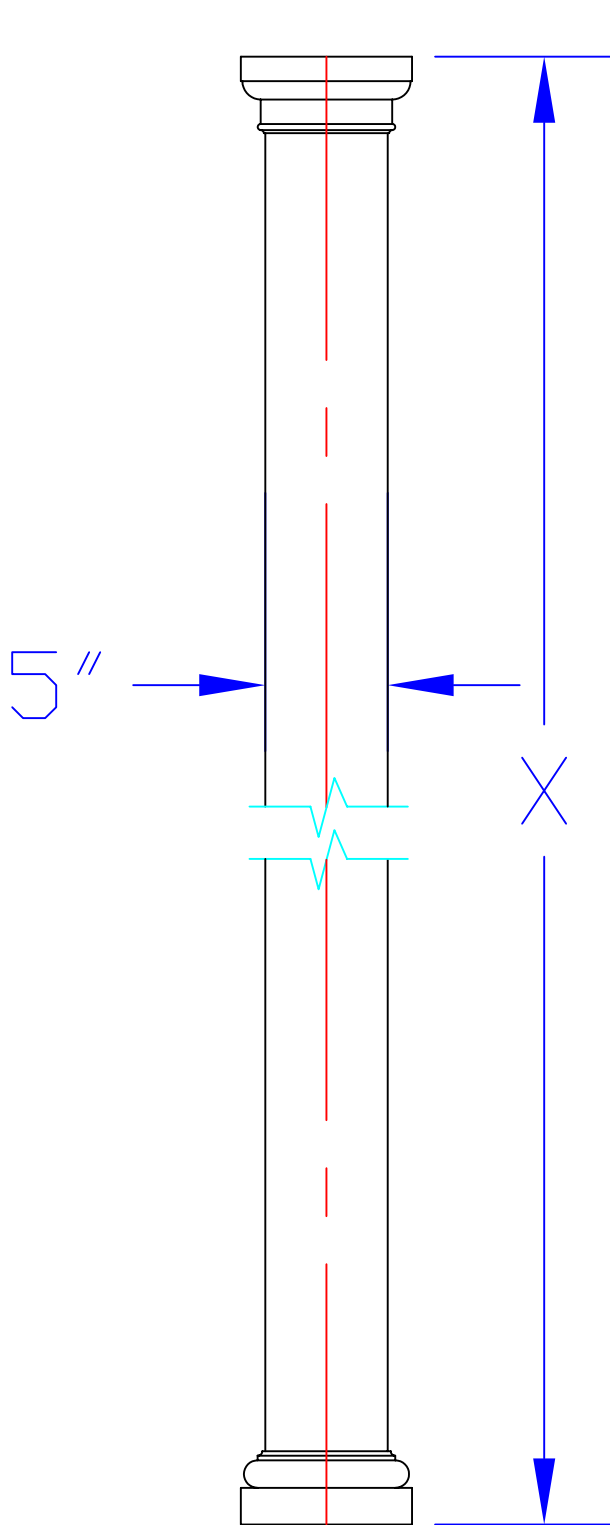
1610 Hanford St., Levittown, PA * (215) 943-4567 * FAX (215) 943-4540



CLS05A

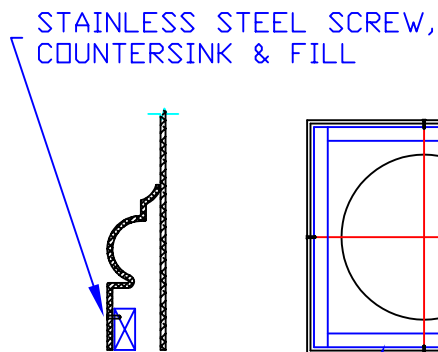
*FIBERGLASS
TECHNOLOGIES, INC.*

1610 Hanford St., Levittown, PA * (215) 943-4567 * FAX (215) 943-4540



BLOCKING AS REQUIRED

BLOCKING DETAIL, CAPITAL



BLOCKING AS REQUIRED

BLOCKING DETAIL, BASE

CAPITAL & BASE
OPTIONAL

ALL COLUMNS SHIPPED
IN HALF-UNITS

COLUMN WILL FIT UP TO:
3" SQ. BEAM
Ø4" COLUMN

CLS05B

*FIBERGLASS
TECHNOLOGIES, INC.*

1610 Hanford St., Levittown, PA * (215) 943-4567 * FAX (215) 943-4540