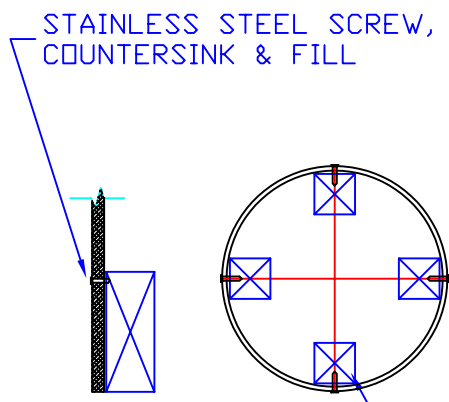


STAINLESS STEEL SCREW,
COUNTERSINK & FILL
BLOCKING AS REQUIRED

BLOCKING DETAIL, CAPITAL



STAINLESS STEEL SCREW,
COUNTERSINK & FILL

BLOCKING AS REQUIRED

BLOCKING DETAIL, BASE

CAPITAL & BASE
OPTIONAL
ALL COLUMNS SHIPPED
IN HALF-UNITS
COLUMN WILL FIT UP TO:
13" SQ. BEAM
Ø19" COLUMN

*

CLM20

*FIBERGLASS
TECHNOLOGIES, INC.*

1610 Hanford St., Levittown, PA * (215) 943-4567 * FAX (215) 943-4540