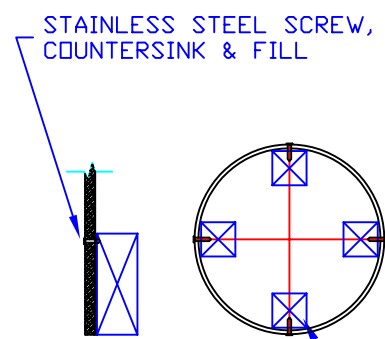


STAINLESS STEEL SCREW,
COUNTERSINK & FILL
BLOCKING AS REQUIRED

BLOCKING DETAIL, CAPITAL



STAINLESS STEEL SCREW,
COUNTERSINK & FILL

BLOCKING AS REQUIRED

BLOCKING DETAIL, BASE

CAPITAL & BASE
OPTIONAL
ALL COLUMNS SHIPPED
IN HALF-UNITS
COLUMN WILL FIT UP TO:
10" SQ. BEAM
Ø14" COLUMN

*

CLM18

FIBERGLASS TECHNOLOGIES, INC.

1610 Hanford St., Levittown, PA * (215) 943-4567 * FAX (215) 943-4540