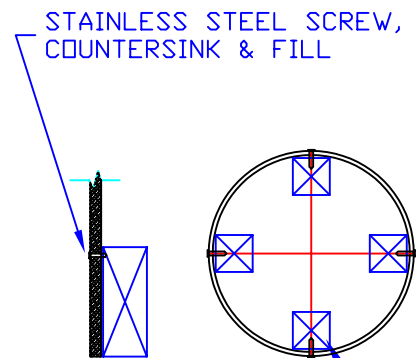


BLOCKING DETAIL, CAPITAL



BLOCKING AS REQUIRED

BLOCKING DETAIL, BASE

CAPITAL & BASE  
OPTIONAL

ALL COLUMNS SHIPPED  
IN HALF-UNITS

COLUMN WILL FIT UP TO:  
14" SQ. BEAM  
Ø20" COLUMN

\*

CLM14

*FIBERGLASS  
TECHNOLOGIES, INC.*

1610 Hanford St., Levittown, PA \* (215) 943-4567 \* FAX (215) 943-4540