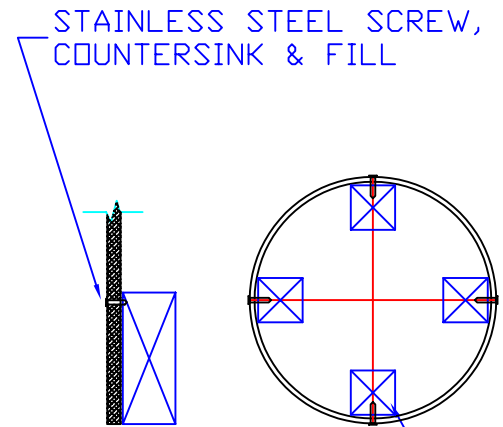


BLOCKING DETAIL, CAPITAL



BLOCKING DETAIL, BASE

CAPITAL & BASE
OPTIONAL

ALL COLUMNS SHIPPED
IN HALF-UNITS

COLUMN WILL FIT UP TO:
24" SQ. BEAM
Ø34" COLUMN



CLM12

*FIBERGLASS
TECHNOLOGIES, INC.*

1610 Hanford St., Levittown, PA * (215) 943-4567 * FAX (215) 943-4540