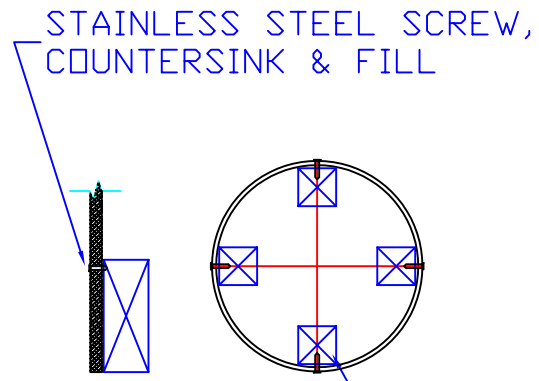


STAINLESS STEEL SCREW,  
COUNTERSINK & FILL  
BLOCKING AS REQUIRED

BLOCKING DETAIL, CAPITAL



STAINLESS STEEL SCREW,  
COUNTERSINK & FILL

BLOCKING AS REQUIRED

BLOCKING DETAIL, BASE

CAPITAL & BASE  
OPTIONAL  
ALL COLUMNS SHIPPED  
IN HALF-UNITS  
COLUMN WILL FIT UP TO:  
8" SQ. BEAM  
Ø11" COLUMN

CLM07

**FIBERGLASS  
TECHNOLOGIES, INC.**

1610 Hanford St., Levittown, PA \* (215) 943-4567 \* FAX (215) 943-4540