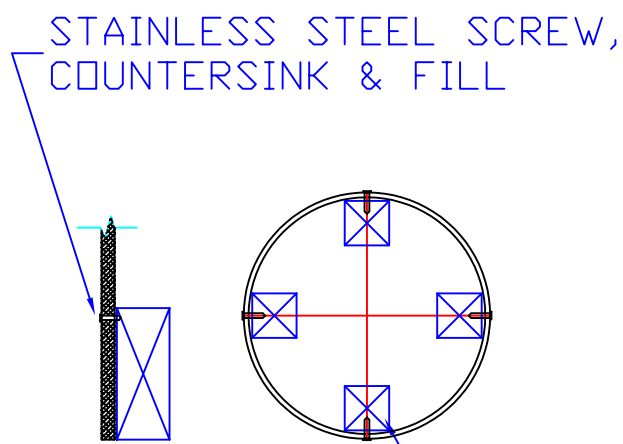


BLOCKING DETAIL, CAPITAL



BLOCKING DETAIL, BASE

CAPITAL & BASE  
 OPTIONAL  
 ALL COLUMNS SHIPPED  
 IN HALF-UNITS  
 COLUMN WILL FIT UP TO:  
 7" SQ. BEAM  
 Ø10" COLUMN

**CLM03**

**FIBERGLASS TECHNOLOGIES, INC.**

1610 Hanford St., Levittown, PA \* (215) 943-4567 \* FAX (215) 943-4540