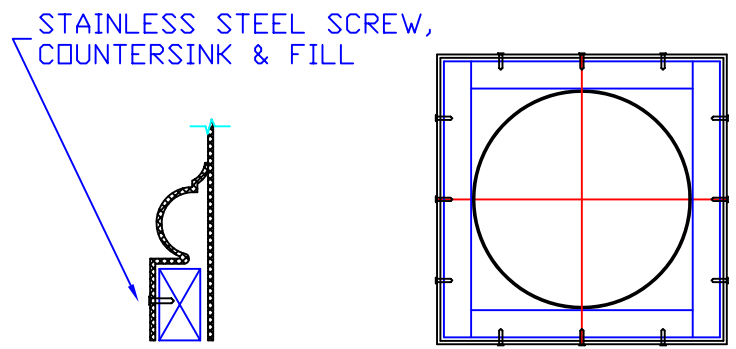


BLOCKING AS REQUIRED
BLOCKING DETAIL, CAPITAL



BLOCKING AS REQUIRED
BLOCKING DETAIL, BASE

20 FLUTE COLUMN
CAPITAL SEPARATE
BASE SEPARATE
ALL COLUMNS SHIPPED
IN HALF-UNITS
COLUMN WILL FIT UP TO:
8" SQ. BEAM
Ø12" COLUMN

CLF07

**FIBERGLASS
TECHNOLOGIES, INC.**

1610 Hanford St., Levittown, PA * (215) 943-4567 * FAX (215) 943-4540