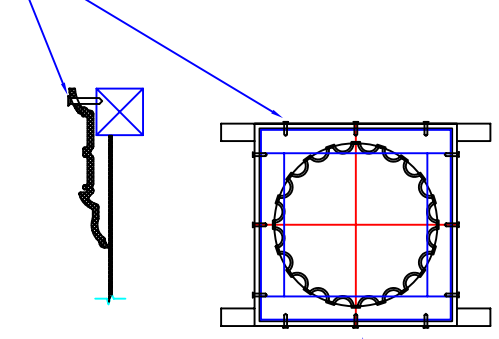
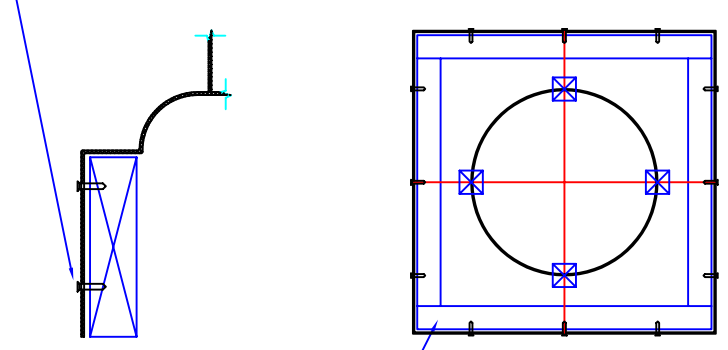


STAINLESS STEEL SCREW,  
COUNTERSINK & FILL  
CAUTION: DO NOT OVERTIGHTEN



BLOCKING AS REQUIRED  
BLOCKING DETAIL, CAPITAL

STAINLESS STEEL SCREW,  
COUNTERSINK & FILL



BLOCKING AS REQUIRED  
BLOCKING DETAIL, BASE

20 FLUTE COLUMN  
CAPITAL SEPARATE  
BASE SEPARATE  
ALL COLUMNS SHIPPED  
IN HALF-UNITS  
COLUMN WILL FIT UP TO:  
8" SQ. BEAM  
Ø12" COLUMN

**CLF04**

**FIBERGLASS TECHNOLOGIES, INC.**

1610 Hanford St., Levittown, PA \* (215) 943-4567 \* FAX (215) 943-4540