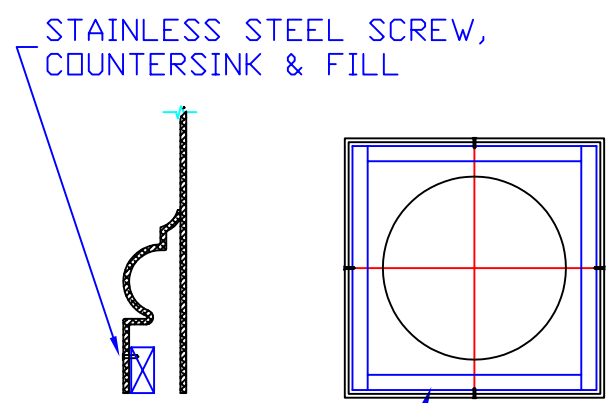


BLOCKING AS REQUIRED  
BLOCKING DETAIL, CAPITAL



BLOCKING AS REQUIRED  
BLOCKING DETAIL, BASE

CAPITAL & BASE  
SEPARATE  
ALL COLUMNS SHIPPED  
IN HALF-UNITS  
COLUMN WILL FIT UP TO:  
6" SQ. BEAM  
Ø9" COLUMN